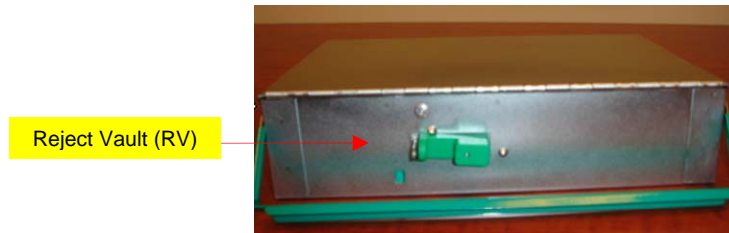
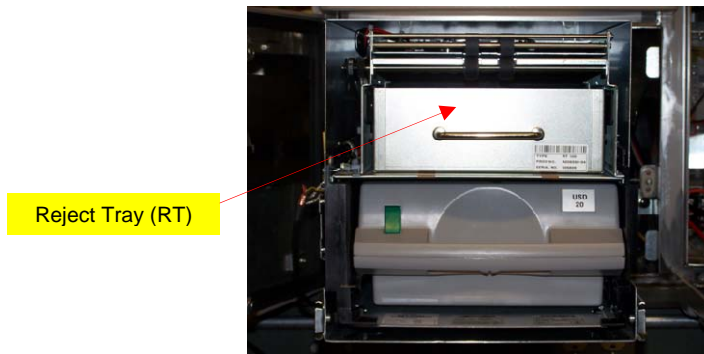
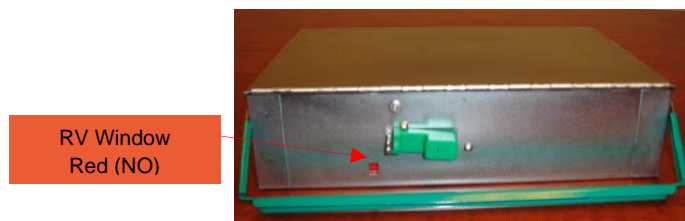


NMD50 – Reject Tray Check

- **NOTE:** Maximum number of bills in the Reject Tray/Vault is 50. The Tray/Vault must be removed and emptied **with the power on** for a successful reset.



1. Verify that the Reject Tray (RT) or Reject Vault (RV) is installed properly.
2. Remove the RT/RV; check that the switch behind the RV/RT is not broken.
3. Reinstall the RT/RV; 4 loud metallic clicks should occur.
 - a. Before inserting Reject Vault into Bill Dispenser, The green handle must be turned so that a green flag is displayed in the window.



Removal of Reject Vault (RV 150)

Open the Reject Vault

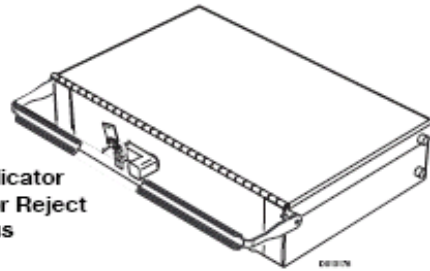
1 Open the lid

If used, break the vault seal first.

Turn the green latch at the front of the cassette counter-clockwise and lift the lid. Release the latch.

The vault is now open for collecting the rejected note bundles.

Colour indicator window for Reject vault status

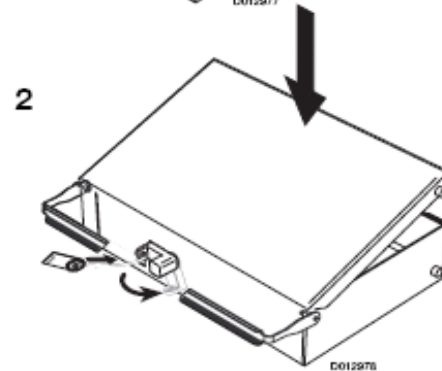
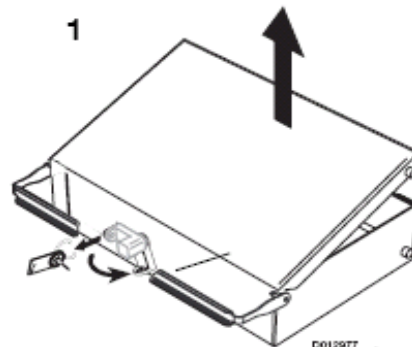


Close the Reject Vault

2 Close the lid

Turn the latch, at the front of the cassette counter-clockwise and close the lid. Release the latch to close the seal bracket again. The colour indicator shows green and the cassette is now locked.

Apply a new seal (if used) to lock the little latch to the seal bracket. The vault is then ready for use (prime position) in the dispenser again.



Troubleshooting

This is a description about how to handle a removed Reject Vault after power failure or malfunctioning.

Important!

The Reject Vault is unlocked when it is removed from the dispenser.

- When the colour indicator is **red** the Reject Vault is unlocked. The RV remains unlocked even after removal from NMD.
- To lock the cassette turn the latch, at the front of the cassette counter-clockwise and close the lid. Release the latch to close the seal bracket again. The colour indicator shows green and the cassette is now locked and ready to be inserted back into the NMD.

